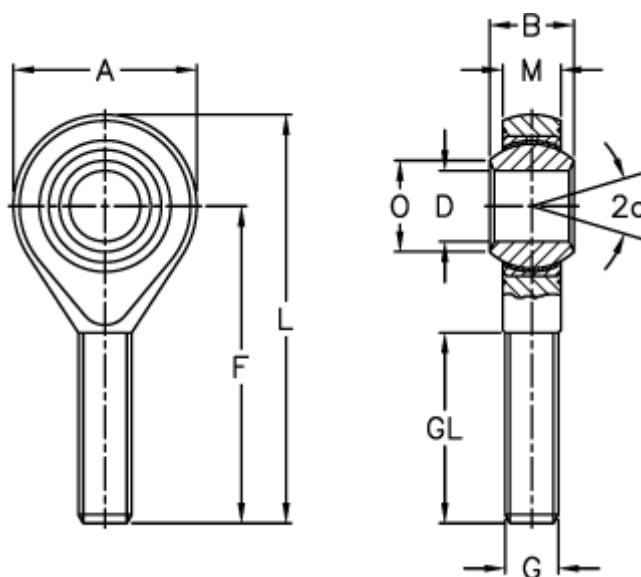


Article number: 03014004

Description: Fluro Rod End GARSW 4
Housing stainless steel

Measures



A	= 14	L	= 37
a (degrees)	= 14	M	= 5.25
B	= 7	O	= 6.5
D	= 4	Permissible rpm	= --
Dynamic load C (kN)	= 0.8	Static load C0 (kN)	= 1.3
F	= 30	Weight (g)	= 9
g	= M4		
GL	= 19		